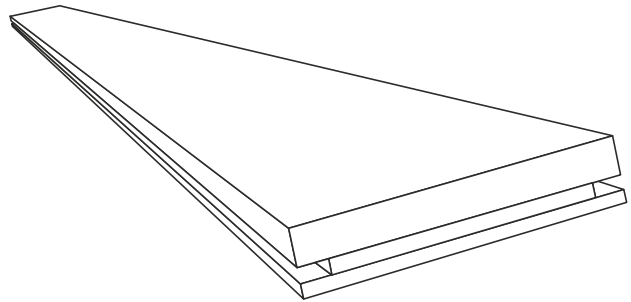


Arzuaga Winery - Spain



Hardwood slat systems for ceilings, are available in different sizes/widths, and edge selections including tongue and groove edges and individual panels to provide



Hardwood slat systems for ceilings allow covering surfaces with tongue and groove systems or with spaces between slats. These installations may have accessible areas, which make them fully versatile.

Slat sizes (random lenght):

90/140 x 19 mm. 3-9/16" / 5-5/8" x 3/4"

Optional:

Acoustic veil in the gap between slats.

Edge systems:



Tongue and groove



Double groove



Installation: fixing cleats for structures of battens or over metallic profiles. Access panels available with easy-handling