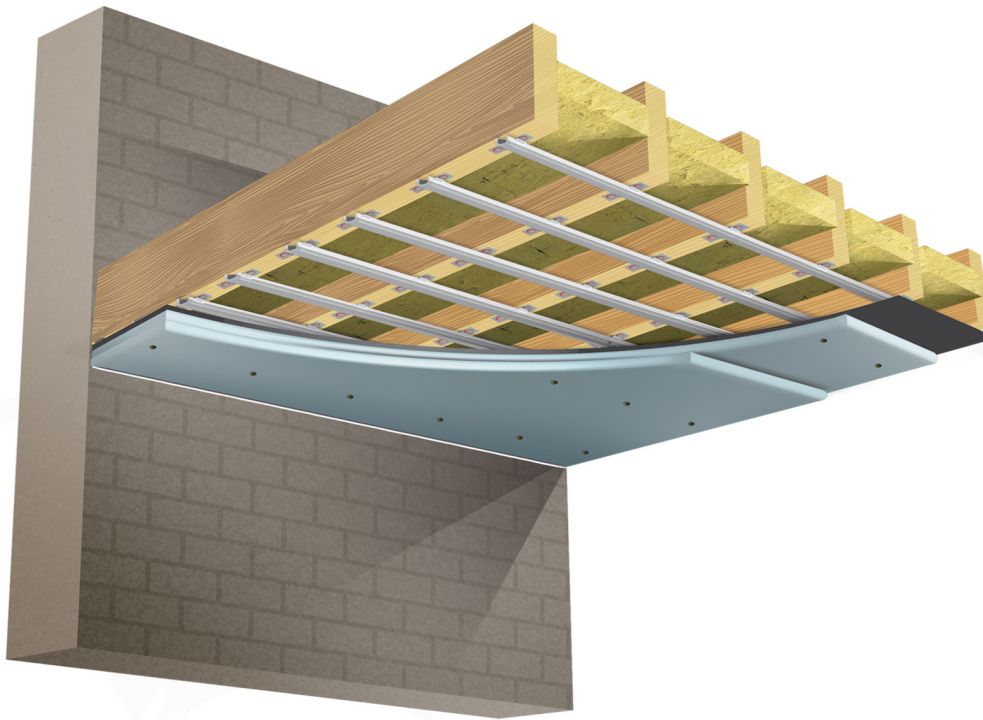


# ACOUSTICLIP DIRECT TO JOIST SYSTEM

SOUNDPROOFING SPECIALISTS  
NOISESTOP SYSTEMS



ACOUSTICLIP  
TIMBER CEILING  
SOUNDPROOFING  
SOLUTION



## SOUNDPROOFING SYSTEMS

*Achieve high levels of soundproofing in your home and work environment using the AcoustiClip System.*

*Install the decoupling bar and isolating clip onto walls and ceilings to ensure the highest soundproofing levels.*

## ACOUSTICLIP SYSTEMS

The AcoustiClip System is a high performing sound reduction system that offers robust levels of soundproofing required in our noisy homes and workplaces.

Fit AcoustiClips onto studs, ceiling joists, concrete ceilings and solid masonry walls. Combined with the AcoustiChannel to form the base of your soundproofing system, you can secure soundproof boarding and acoustic membranes that are isolated from the structure of the building.

The system is economical, space-saving and provides excellent levels of noise control.

## ACOUSTICLIP DIRECT TO JOIST SYSTEM

Our highest performing ceiling system. Soundproof your ceilings against unwanted footfall noise and clear conversation with our highest performing ceiling system

### ACOUSTICLIP

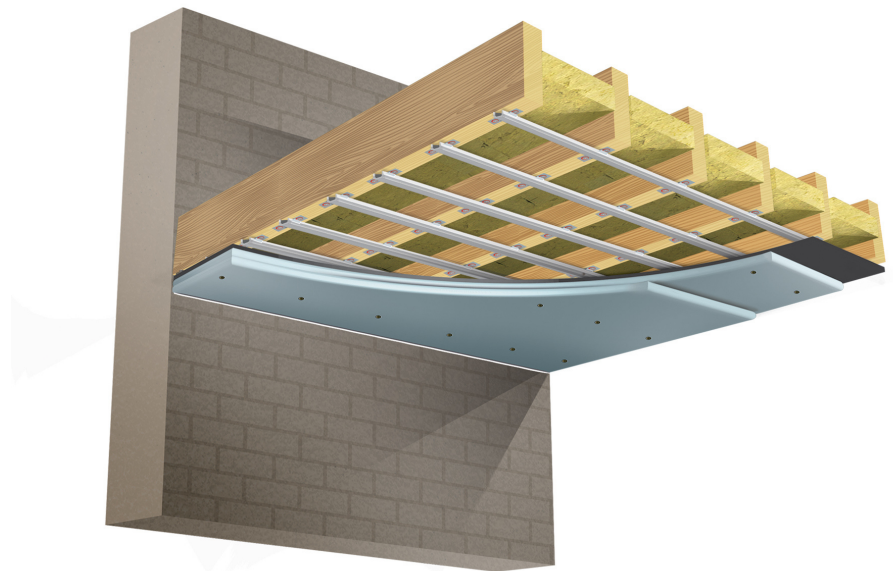
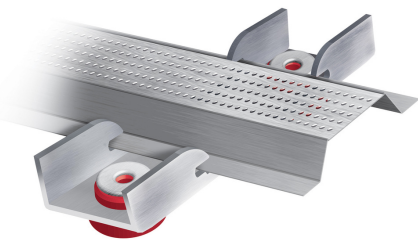
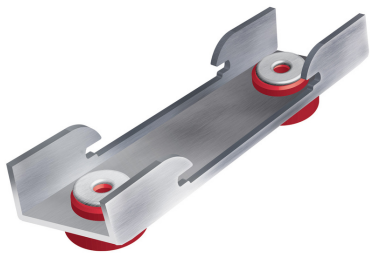
Excellent noise reduction levels make this a great choice for rooms that require high levels of noise control

### SYSTEMS

Combining acoustic materials ensures the very best levels of sound reduction against airborne and impact sounds

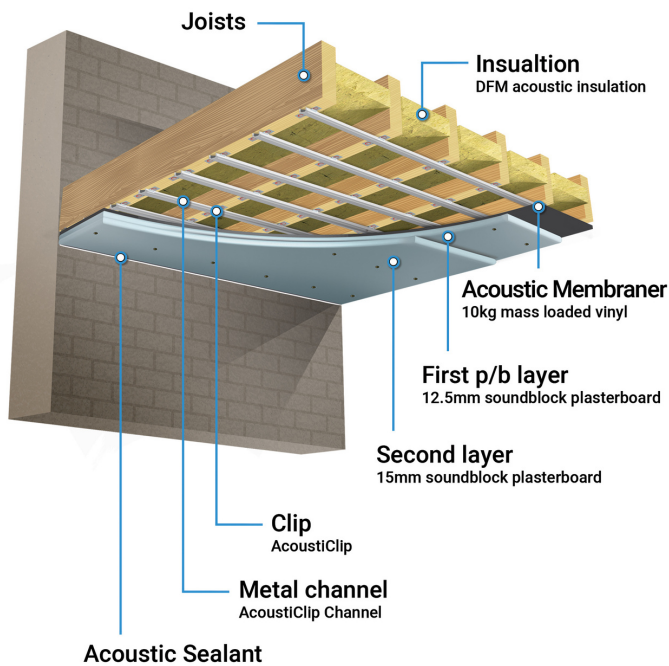
### SOUNDPROOFING

Soundproof your home, office, workplace, music room, studio with the AcoustiClip System

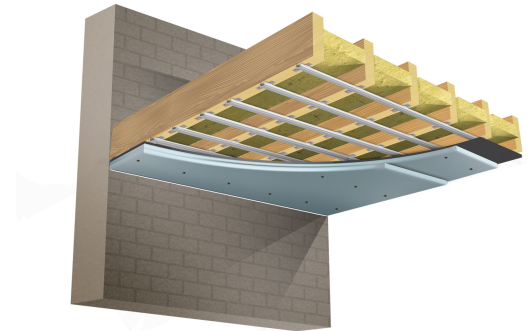


## ACOUSTICLIP DIRECT TO JOIST SYSTEM

Our highest performing ceiling system. Soundproof your ceilings against unwanted footfall noise and clear conversation with our highest performing ceiling system



**Noise Reduction**  
**Airborne 61dB**  
**Impact 55dB**



- AcoustiClips are applied directly to the joist to create the isolation required for significant noise reduction
- AcoustiChannel fitted into the clips to form the base of the soundproof ceiling
- 100mm DFM acoustic insulation between the AcoustiChannel to increase the sound absorption within the ceiling cavity and reduce sound reverberation
- Noisestop 1+ Panel incorporating acoustic plasterboard and a layer of pre-bonded 10kg mass loaded vinyl
- A further layer of 15mm acoustic plasterboard adds more mass to the ceiling
- Acoustic sealant is used to seal the boards to enhance the acoustic performance

## ACOUSTICLIP DIRECT TO JOIST SYSTEM

Our highest performing ceiling system. Soundproof your ceilings against unwanted footfall noise and clear conversation with our highest performing ceiling system

# Fitting Acousticclip Direct to Joist System

**AcustiClips** - Position the clips onto the ceiling with a maximum space of 900mm between each clip along the AcustiChannel and with a maximum distance of 600mm between each channel. Position a clip at the beginning and the end of each run of channels i.e. You should have a clip within 100mm of the wall on side of the run and a clip within 100mm of the wall on the other side.

**AcustiChannel** - Attach the AcustiChannel into the AcustiClips by squeezing the channel and slotting it into the clips. Join the lengths together with a 100mm overlap and screw them together.

**DFM Acoustic insulation** - Infill the cavity between each stud with the 100mm DFM acoustic insulation. Cut the slabs of acoustic insulation wider than the opening to ensure the insulation friction fit between the joists.

**Noisestop 1+ Panel** - Screw the Noisestop 1+ Panel into the AcustiChannel. Leave a small 2-3mm gap around the perimeter of the wall. Screw the boards to the furring channels using dry-wall screws, these should be long enough to go 10mm through the furring channel.

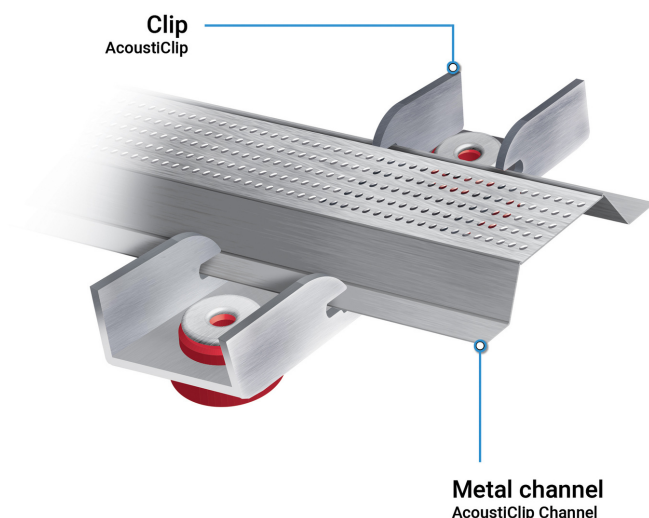
## ACOUSTICLIP DIRECT TO JOIST SYSTEM

Our highest performing ceiling system. Soundproof your ceilings against unwanted footfall noise and clear conversation with our highest performing ceiling system

# Fitting Acousticclip Direct to Joist System

**Acoustic plasterboard** - Fit the final layer of acoustic plasterboard over the Noisestop 1+ Panel staggering the joints between the first and second layer of boards.

**Acoustic Sealant** - Fill the perimeter of the ceiling and between each board to fill any small gaps. Note - Seal between each board as you push them together to create an acoustic seal.



## Fitting the AcoustiClip

Secure the Acousticclips to the ceiling joist using wood screws.

The AcoustiChannel clips into the fixing point by pinching the metal channel in place. Alternatively, you can slide the clips onto the channel before screwing the AcoustiClips in place.

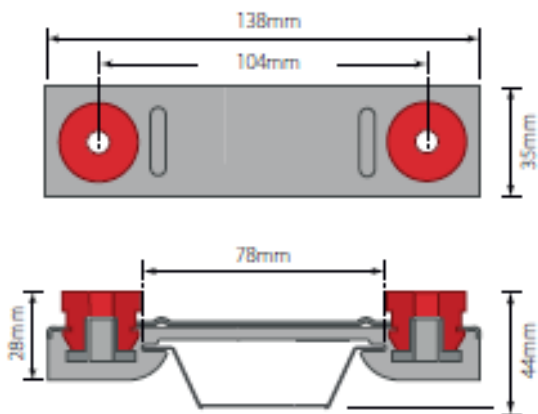
## ACOUSTICLIP DIRECT TO JOIST SYSTEM

Our highest performing ceiling system. Soundproof your ceilings against unwanted footfall noise and clear conversation with our highest performing ceiling system

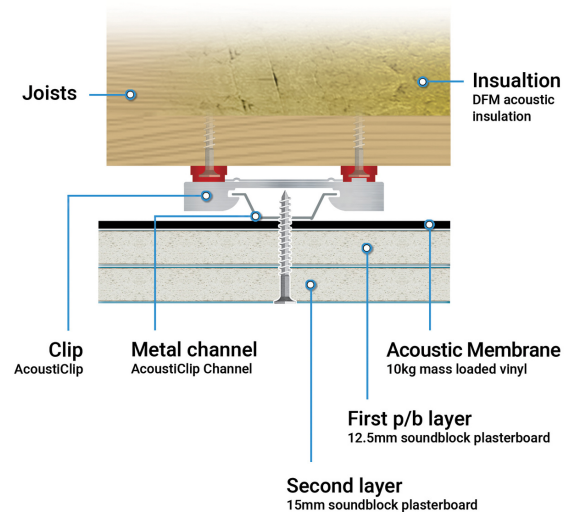
# Overview

## AcustiClip Direct to Joist System

### AcustiClip & AcustiChannel



### Cross Section AcustiClip System



- Soundproof ceilings with timber ceiling joists
- An excellent performance against airborne and vibration sound
- At only 77mm thick means you can install this system into smaller rooms
- Competent DIYers can carry out the installation
- Ideal solution for noisy neighbours and rooms that require a good level of noise control